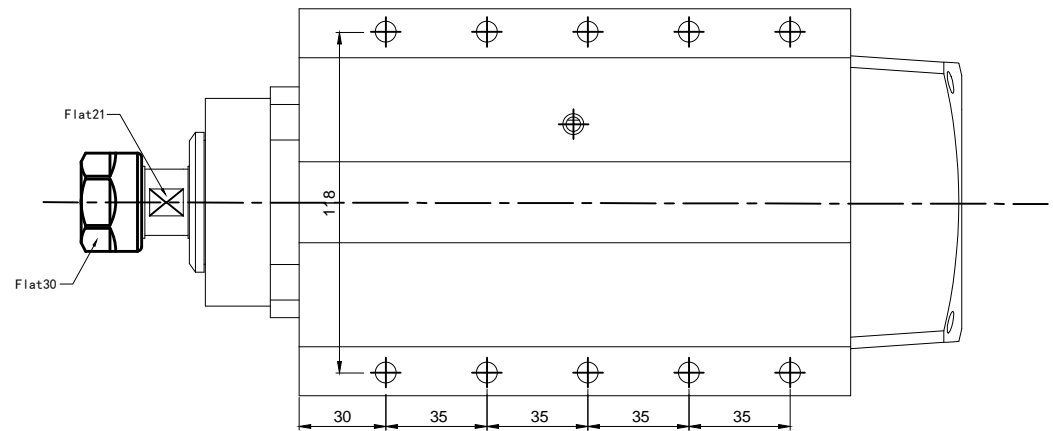
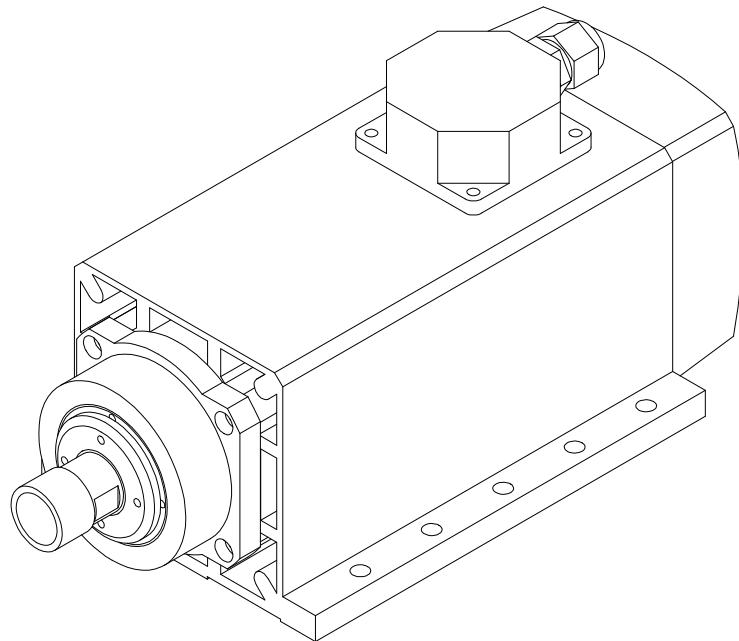
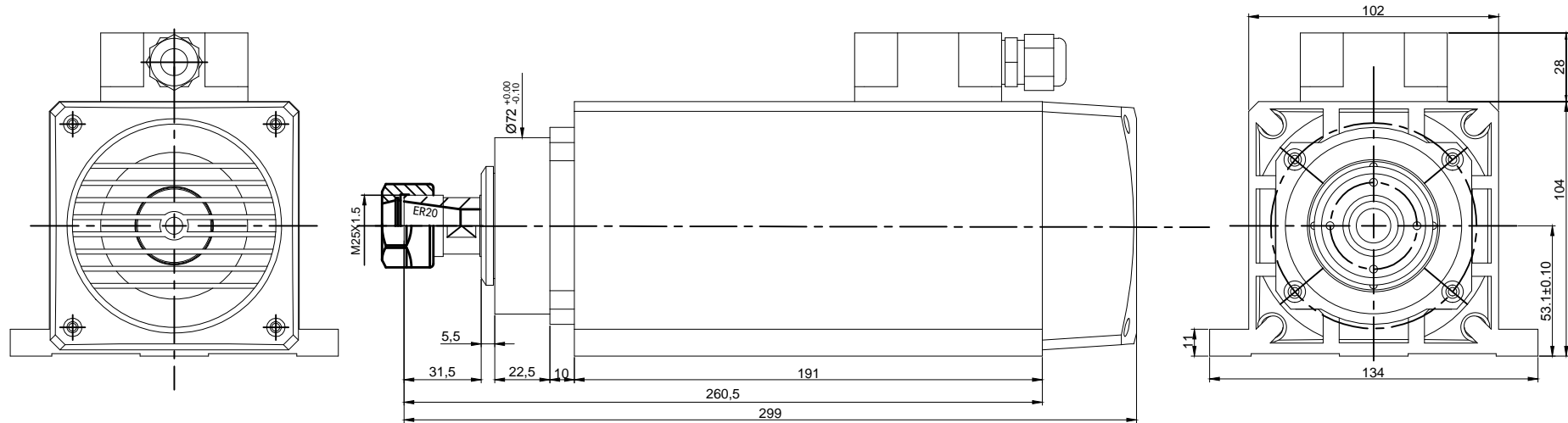
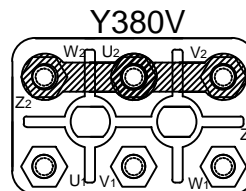


# STF53-134B-3.5-ER20-JXH



## 【CAUTION】

- Rotating mode: anticlockwise from the shaft extension end
- The spindle is single voltage 380V. Do not change the direction of the copper!



## WHD SPINDLE MOTOR

Power	Voltage	Current	Shaft	Frequency	Speed	Cool	Weight
3.5KW	380V	7.2A	ER20	300Hz	18000RPM	Air	8.0KG