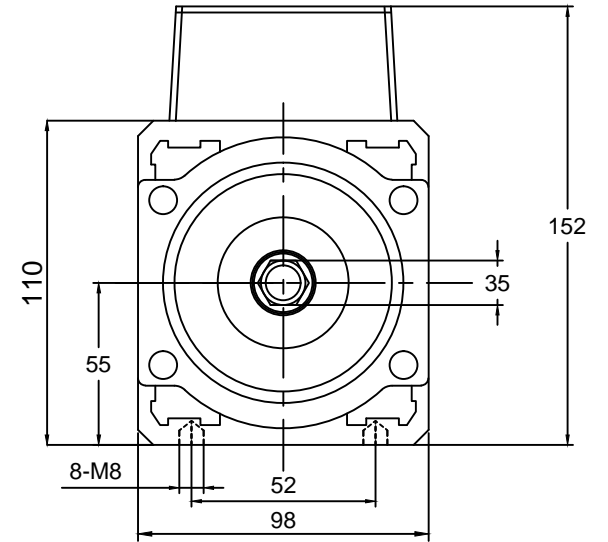
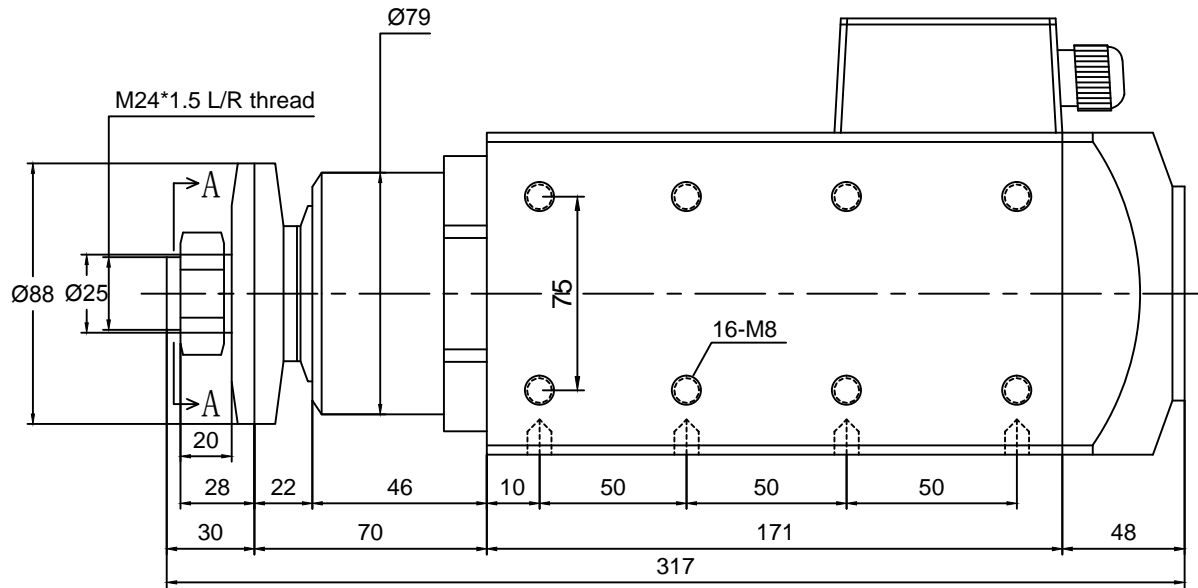
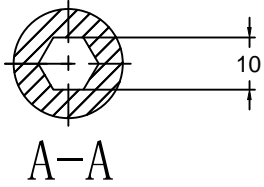


# STX49-55-2.2-12Z-JXH-B



## WHD SPINDLE MOTOR

Power	Voltage	Current	Frequency	Cool	Speed
2.2KW	220V/380V	9.7A/5.6A	200Hz	Aircooling	12000RPM