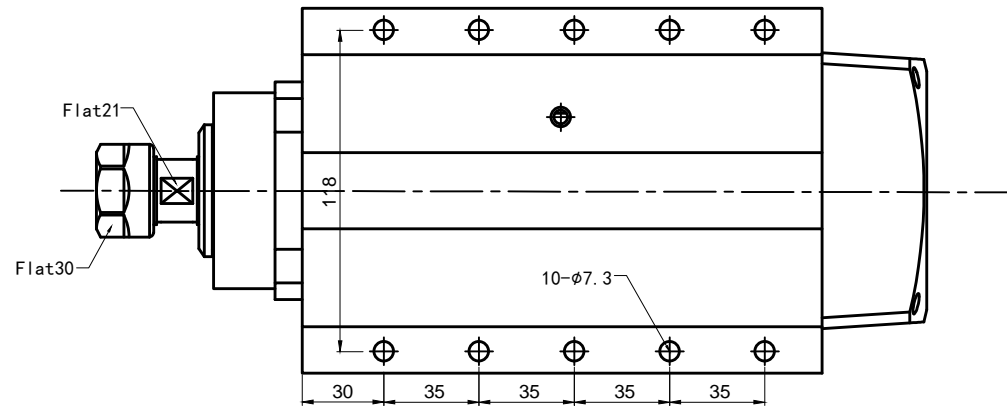
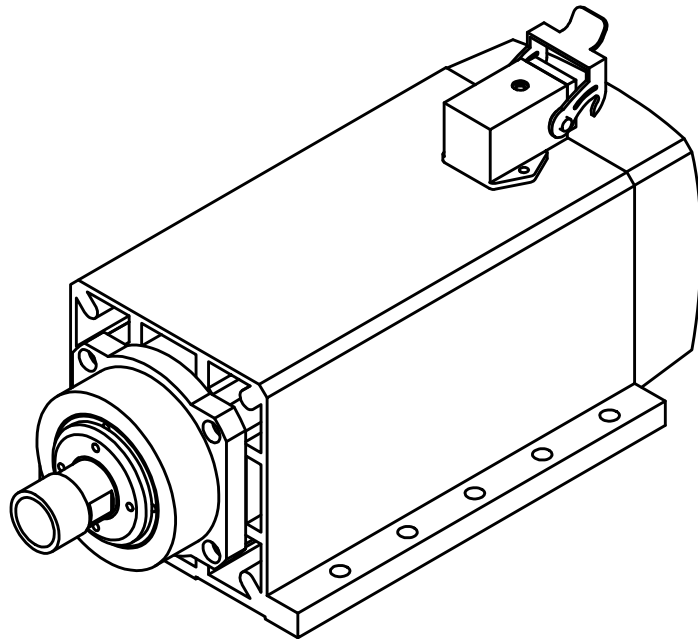
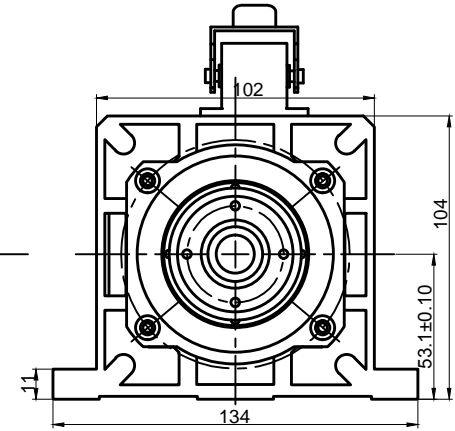
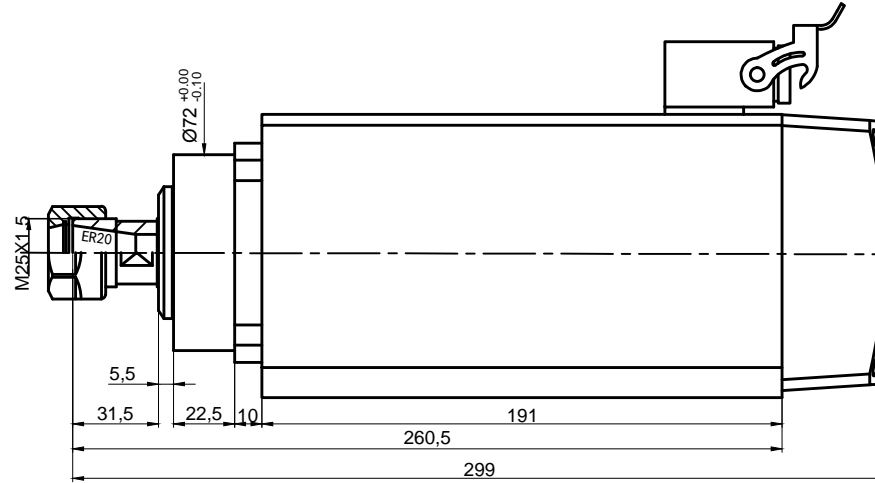
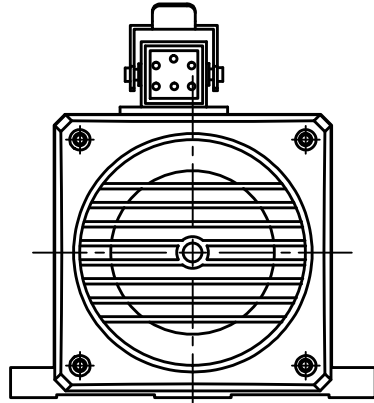


STF53-134B-2.2-ER20



**【CAUTION】**

- Rotating mode: anticlockwise from the shaft extension end

| WHD SPINDLE MOTOR |         |         |       |           |          |      |        |
|-------------------|---------|---------|-------|-----------|----------|------|--------|
| Power             | Voltage | Current | Shaft | Frequency | Speed    | Cool | Weight |
| 2.2KW             | 380V    | 4.5A    | ER20  | 300Hz     | 18000RPM | Air  | 7.2KG  |