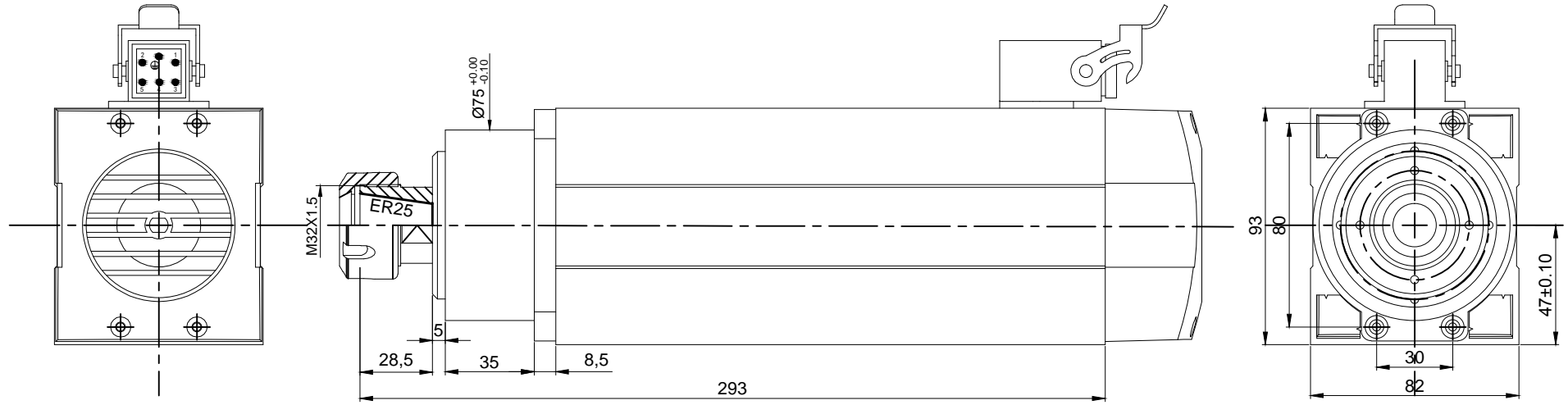
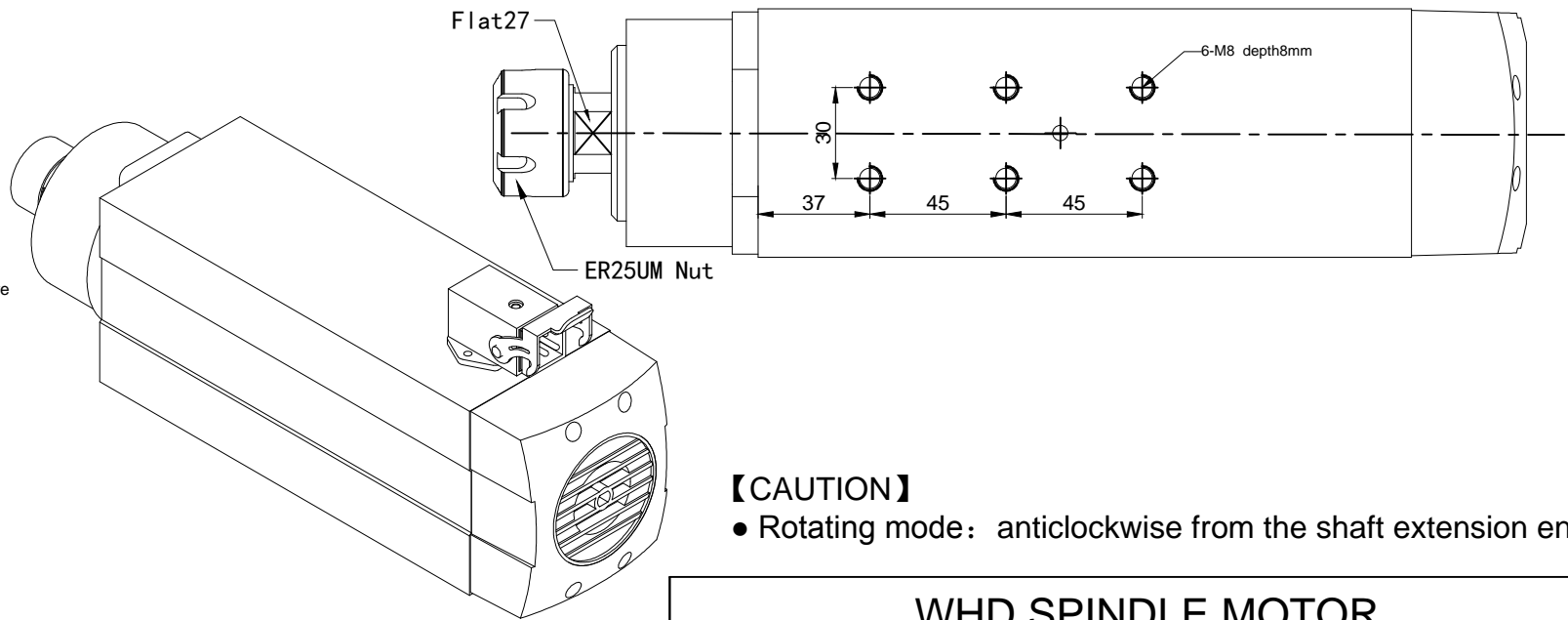
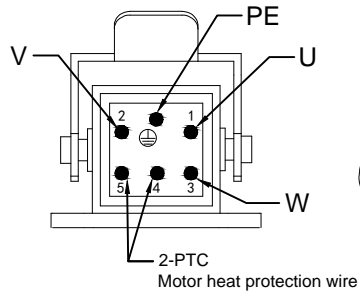


STF47-82-3.5-ER25



【Wiring description diagram】



【CAUTION】

- Rotating mode: anticlockwise from the shaft extension end

PTC single-core thermistor parameter	
DC power supply	Maximum DC25V/100mA
-20~25℃	≤100Ω
≤90℃	≤250Ω
105℃	≤550Ω
110℃	Rated operating temperature
115℃	≥1330Ω
≥125℃	≥4KΩ
≤160℃	Maximum storage temperature

WHD SPINDLE MOTOR							
Power	Voltage	Current	Shaft	Frequency	Speed	Cool	Weight
3.5KW	380V	7.2A	ER25	300Hz	18000RPM	Air	8.4KG