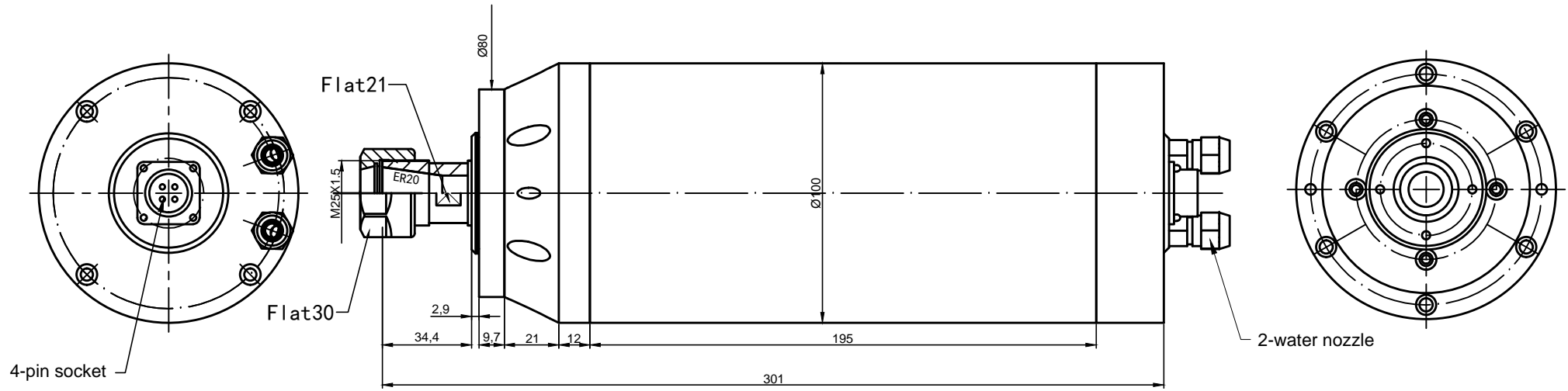
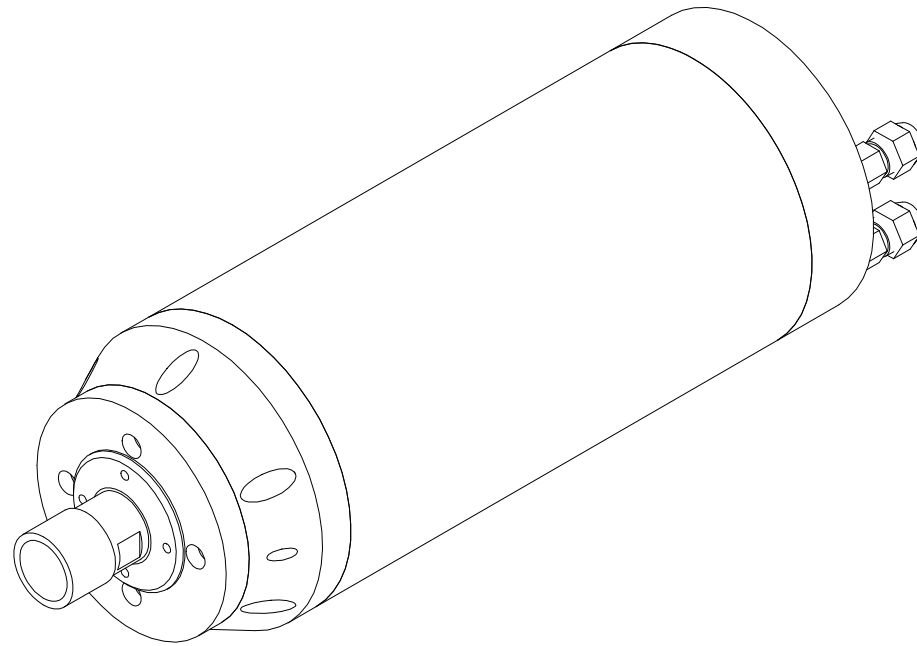


STZ100-3.7Z-ER20




4-pin socket

2-water nozzle



Wiring description

Pin	4-pin socket
1	U frequency converter phase
2	V frequency converter phase
3	W frequency converter phase
4	Wring ground 

WHD SPINDLE MOTOR

Power	Voltage	Current	Shaft	Frequency	Speed	Cool	Weight
3.7KW	220V	10.0A	ER20	400Hz	24000RPM	Water	8.8KG

【CAUTION】

Rotating mode: anticlockwise from the shaft extension end