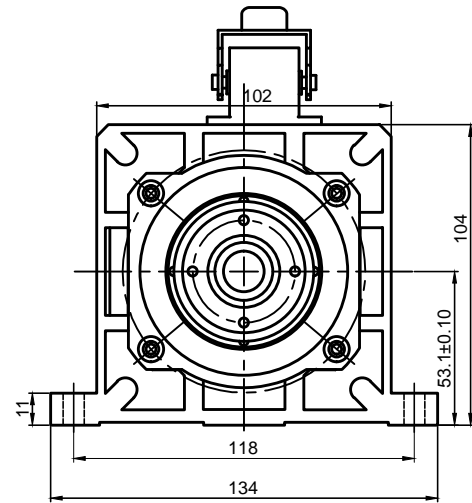
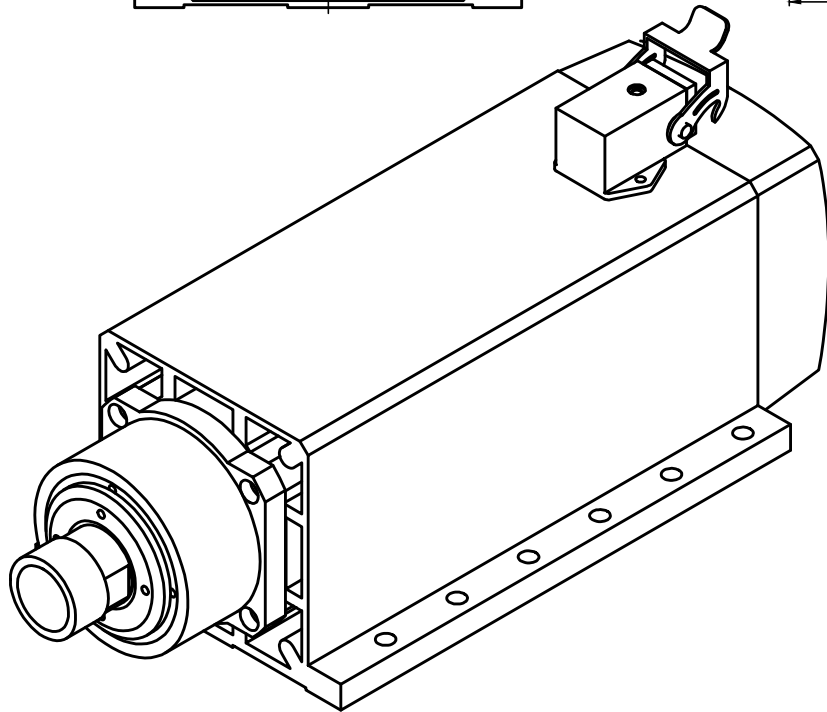
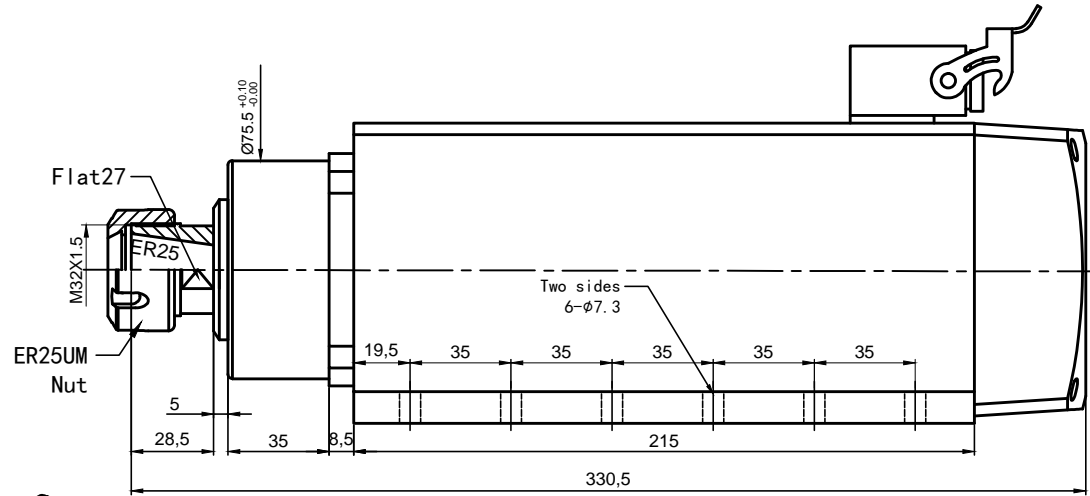
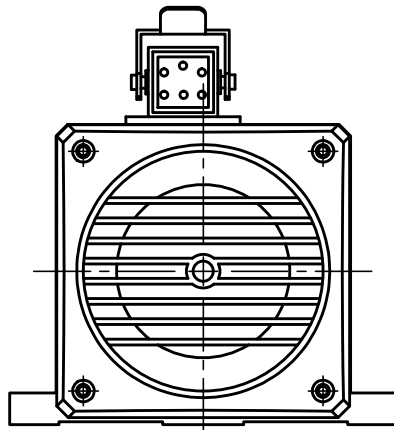


STF53-134B-3.5-ER25



【CAUTION】

- Rotating mode: anticlockwise from the shaft extension end

WHD SPINDLE MOTOR							
Power	Voltage	Current	Shaft	Frequency	Speed	Cool	Weight
3.5KW	380V	7.2A	ER25	300Hz	18000RPM	Air	8.0KG